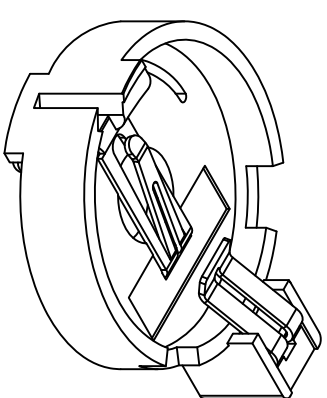
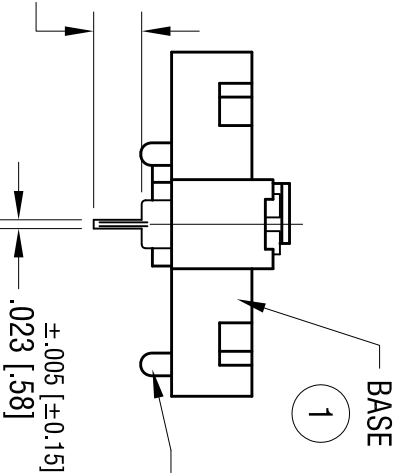
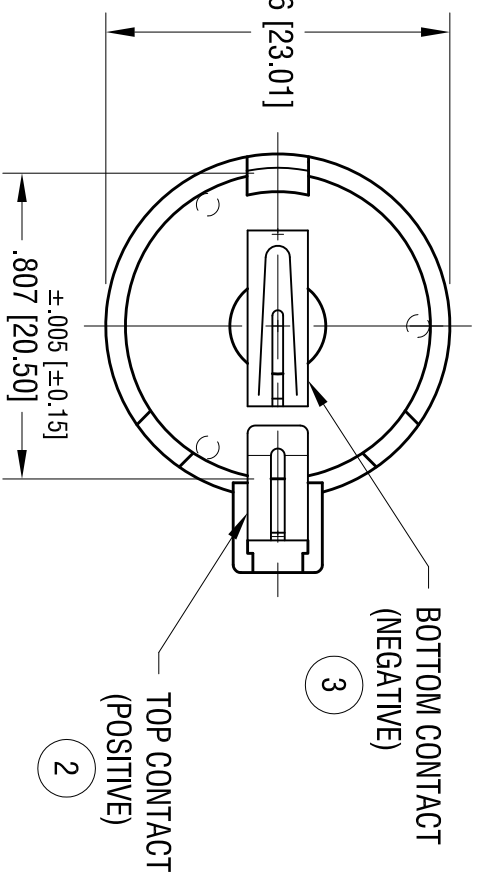
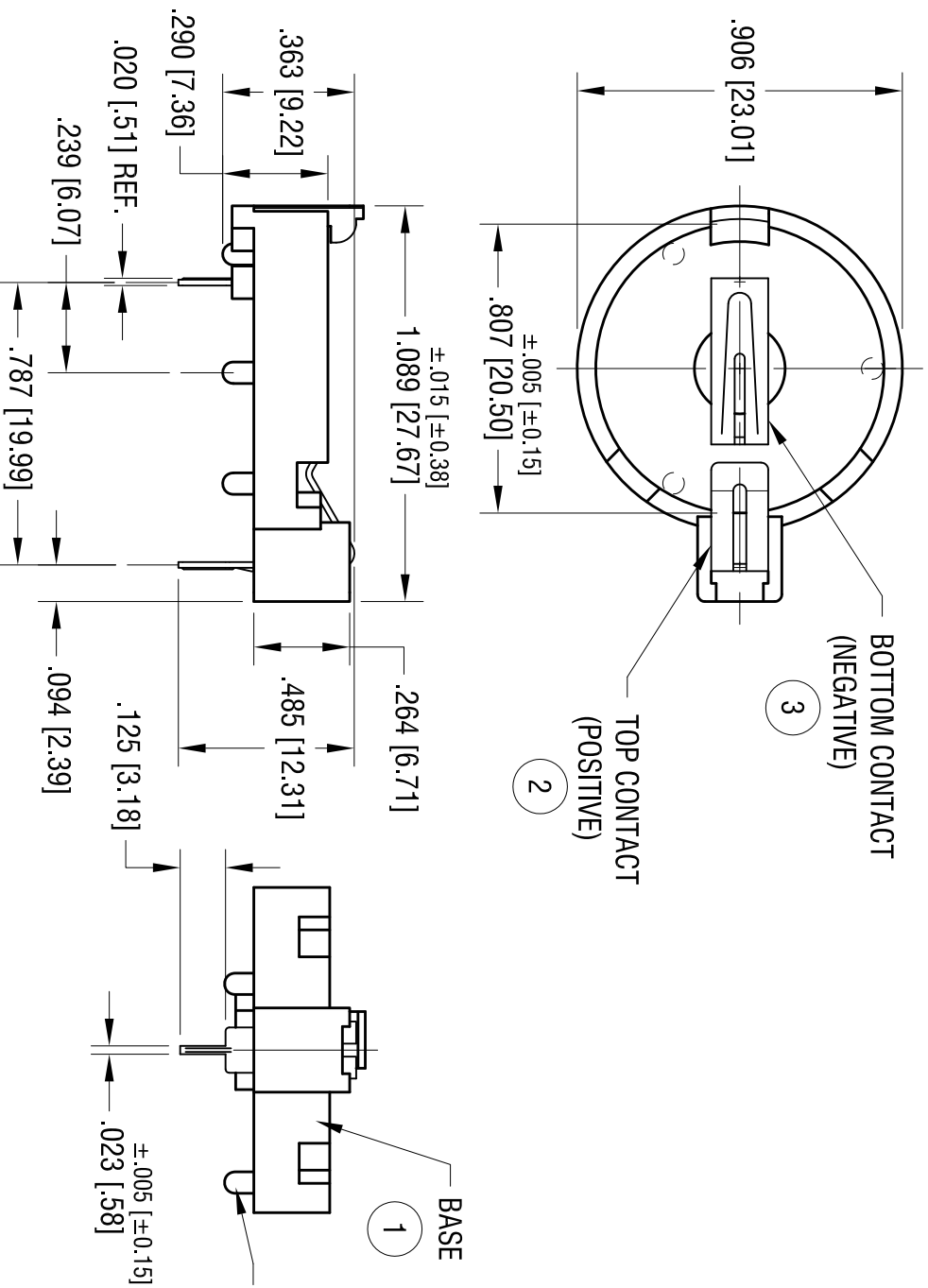


DATE	DESCRIPTION	REV.
11.9.04	CHANGE AS PER ECN 04-137	C
2.05.10	CHANGE AS PER ECN 10-010	D
6.14.10	CHANGE AS PER ECN 10-040	E



THIS DOCUMENT IS THE PROPERTY OF KEYSTONE ELECTRONICS CORP. IT SHALL NOT BE REPRODUCED, DISTRIBUTED OR USED AS A BASIS FOR MANUFACTURE WITHOUT PRIOR WRITTEN PERMISSION FROM KEYSTONE ELECTRONICS CORP.

**KEYSTONE ELECTRONICS CORP.**

www.keystec.com • ASTORIA, N.Y. 11105-2017 • Tel (718) 956-8900

**PART NAME**

COMPACT 20mm BATTERY HOLDER

**MATERIAL**

AS NOTED

**FINISH**

AS NOTED

TOLERANCES	INCH	[MM]	CODE	DWG NO.
DECIMAL	$\pm .010$	[ $\pm 0.25$ ]	C	1066
ANGULAR	$\pm 1^\circ$			

ITEM	DESCRIPTION	MATERIAL/FINISH
1	BASE BLACK	GLASS FILLED NYLON, UL 94V-0
2	TOP CONTACT	PHOSPHOR BRONZE .016 [0.40] THK
3	BOTTOM CONTACT	TIN PLATE OVER COPPER

